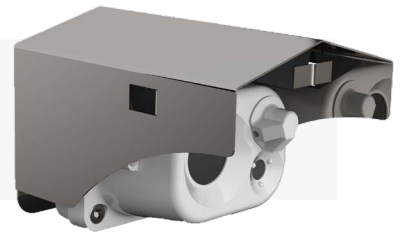




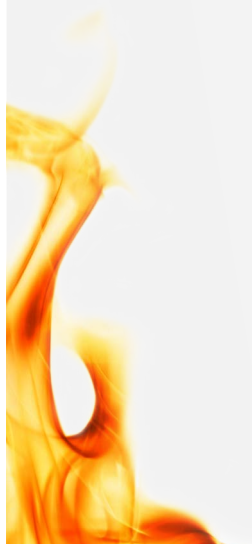
WEATHER SHIELD

For flame detector 660, 760, 860



Protection shield in Stainless Steel.

Product data	23546	27976
Detector type	Aluminum and Stainless Steel 660, 860	Aluminum and Stainless Steel 760
Weight	0,7 kg	0.7 kg
Materials	Shield: Stainless Steel 316L Damper: PE	Shield: Stainless Steel 316L Damper: PE



Weather shield for flame detector 660, 760, 860



For detector 660, 860

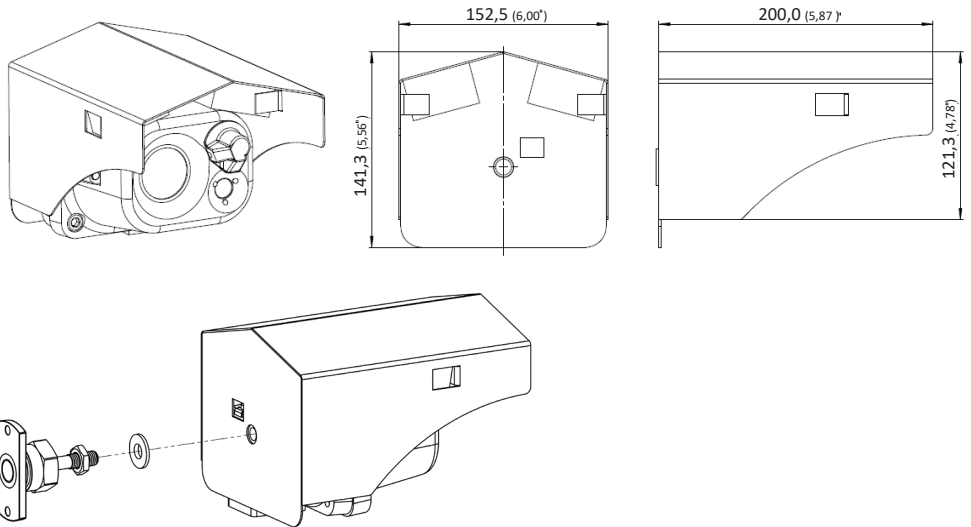
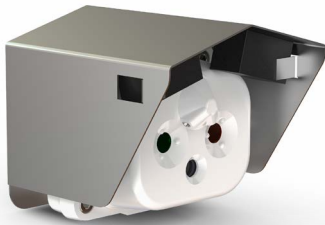


Figure 1 Dimension- and assembly drawing for art. 23546



For detector 760

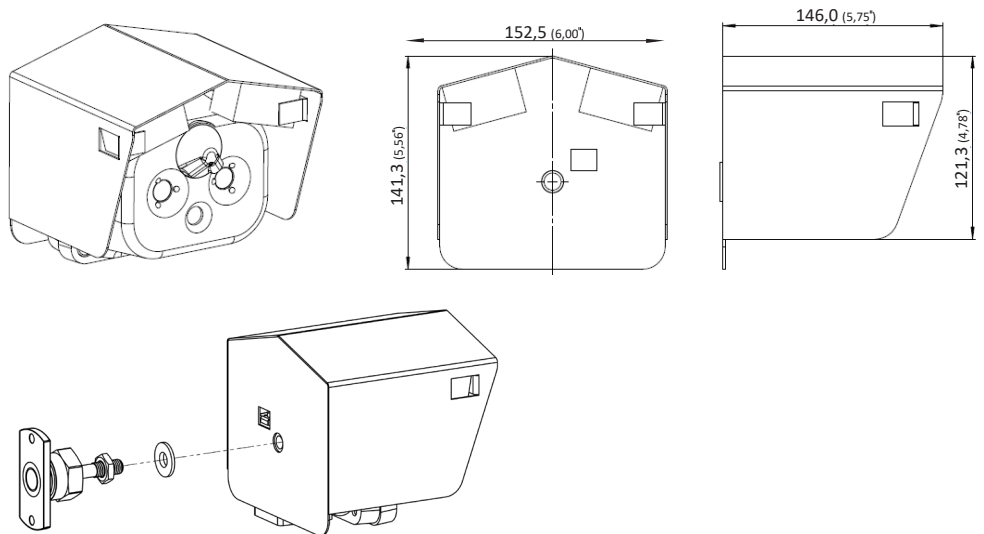


Figure 2 Dimension- and assembly drawing for art. 27976

Firefly AB
Stockholm, Sweden
Phone: +46 (0)8 449 25 00
E-mail: omniguardsales@firefly.se
www.omniguardsbyfirefly.se

Omniguard Weather shield- Ver 1.0 | EN
© Firefly AB (2021)

