



WEATHER SHIELD

Weather shield for gas detector 1100, 2100, 3100

Protection shield in Plastic and Stainless Steel.

Product data	27727	28368	28346
Detector type	1100, 2100, 3100	1100, 2100	3100
Weight	0,8	1,4	2,5
Material	Plastic	Stainless Steel 304	Stainless Steel 304

C₂H₆O

H₂ O₃

C₇H₈

CO₂ C₂H₂

SiH₄ (CH₃)₂O

H₂O₂ Cl₂

Weather shield for gas detector 1100, 2100, 3100



For detector
1100, 2100, 3100

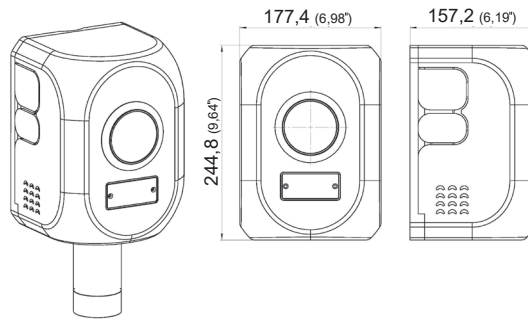


Figure 1 Dimension- and assembly drawing for art. 27727



For detector
1100, 2100

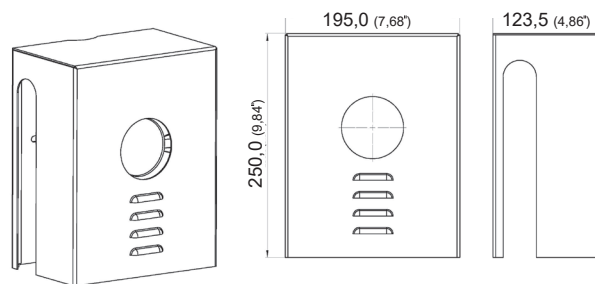


Figure 2 Dimension- and assembly drawing for art. 28368



For detector 3100

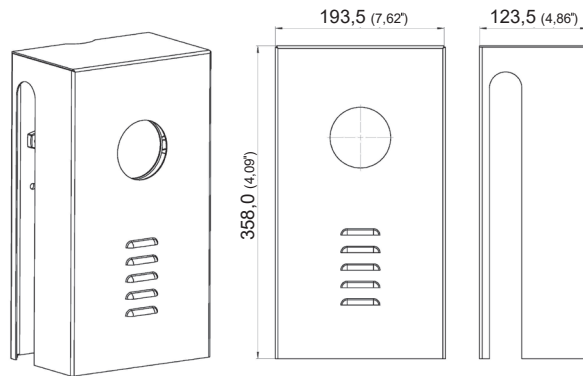


Figure 3 Dimension- and assembly drawing for art. 28346

Firefly AB
Stockholm, Sweden
Phone: +46 (0)8 449 25 00
E-mail: omniguardsales@firefly.se
www.omniguardsbyfirefly.se

Omniguard Swivel Mount - Ver 1.0 | EN
© Firefly AB (2021)

